

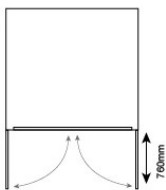
SafeStore Glendale Plus Secure Storage Unit

- * Size: 2240mm (7ft 4in) wide x 3330mm (10ft 11in) deep * Colours available: Green, Dark Grey or Ivory
- * Accessories available: timber floor kit, shelf, hooks, tool rail, universal ramp, adjustable hanging bike racks, single and double bike stands, heavy duty ladder and tool rack, LED sensor lights (240mm or 600mm)

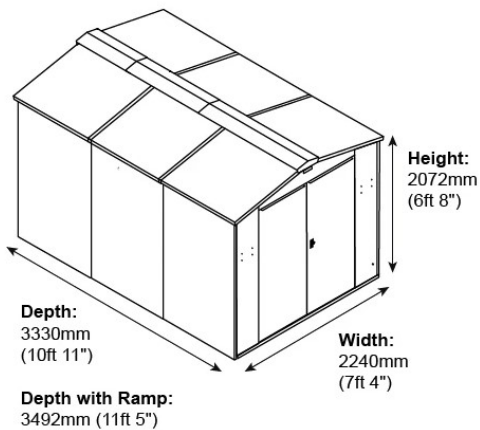


External Dimensions

Weight:
433kg (68.3 stone)
Door Aperture:
1690mm (5ft 6") x
1420mm (4ft 7")



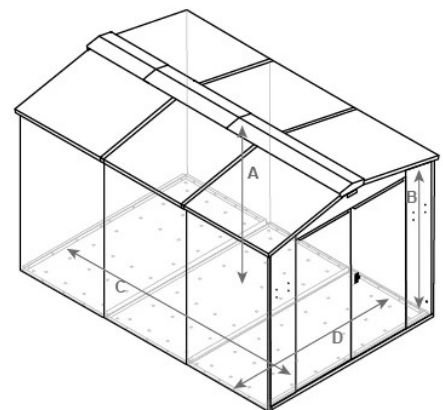
Door Clearance
760mm (2ft 6")



Internal Dimensions

- A. Internal Height (to apex):**
1980mm (6ft 6")
- B. Internal Height (to eaves):**
1820mm (5ft 11")
- C. Internal Depth:**
3222mm (10ft 7")
- D. Internal Width:**
2140mm (7ft 0")

*Please note, if the optional wooden subfloor is selected with this product the internal height measurement will decrease by approximately 50mm



- * 10 year warranty
- * 433kg in weight (68.3 stone)
- * Designed and made in the UK
- * 2 Keys and 5 point locking system
- * Reinforced hinges, panels, doors and handle lock system
- * Unique shed ventilation
- * Electric mounting plate included
- * Welded hinges